



Plastic grate Base 4'' (DN100) mesh ADA



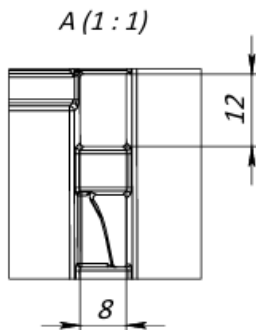
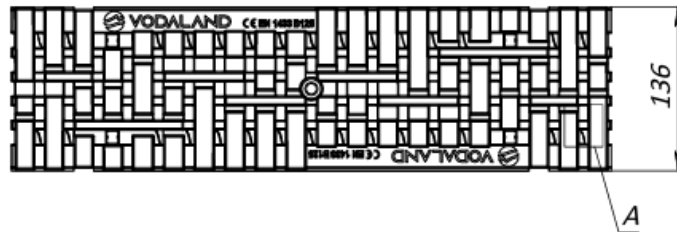
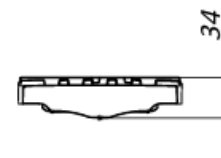
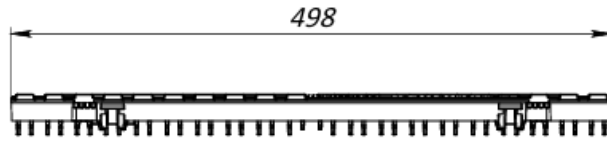
Product feature



Technical characteristics

Name
4" Plastic mesh grate Base B125\ Plastic grate Base DN100 mesh ADA B125
Width, inch (mm)
5-3/8" (136)
Height, inch (mm)
1-3/8" (34)
Length, inch (mm)
19-5/8" (498)
Area of water intake slots sq in (sq cm)
10.6 (68,4)
Load class
B125
Weight, lb (kg)
2.77 (0.9)
Item
208022
Standard
ADA and Heelproof

Drawing



Accessories

Technical characteristics

Назва

Plastic latch for plastic grate Base

Width, inch (mm)

1-1/4" (31)

Height, inch (mm)

3/4" (19)

Length, inch (mm)

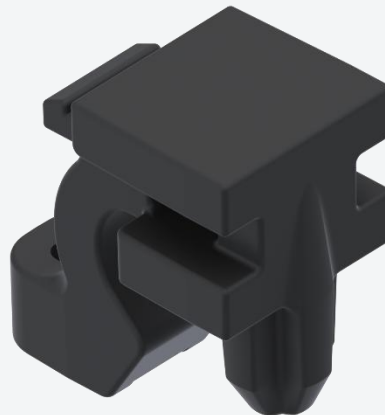
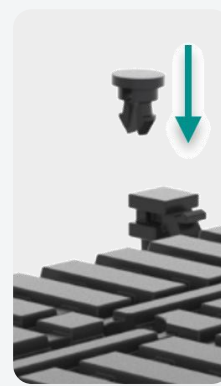
1-1/4" (31)

Weight, lb (g)

0.017 (8)

Item

68631



The latch is made of durable plastic. Resistant to destruction! Retains its elasticity!

Technical characteristics

Назва

Plastic end cap for fastening

Width, inch (mm)

5/8" (16)

Height, inch (mm)

5/8" (17)

Length, inch (mm)

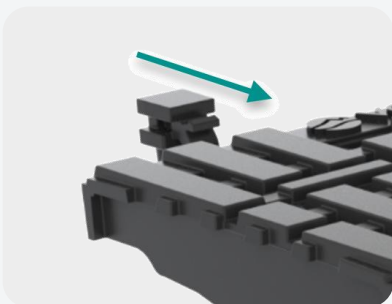
5/8" (16)

Weight, lb (g)

0.004 (2)

Item

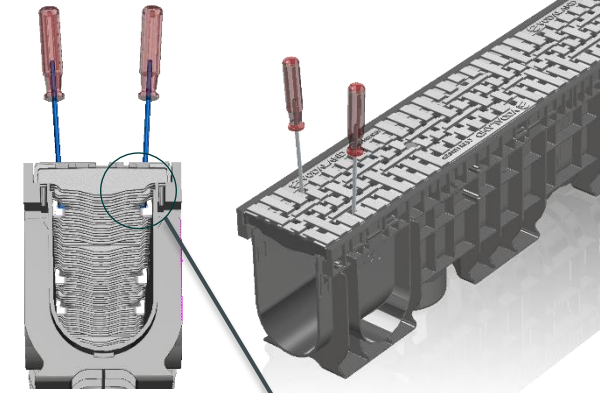
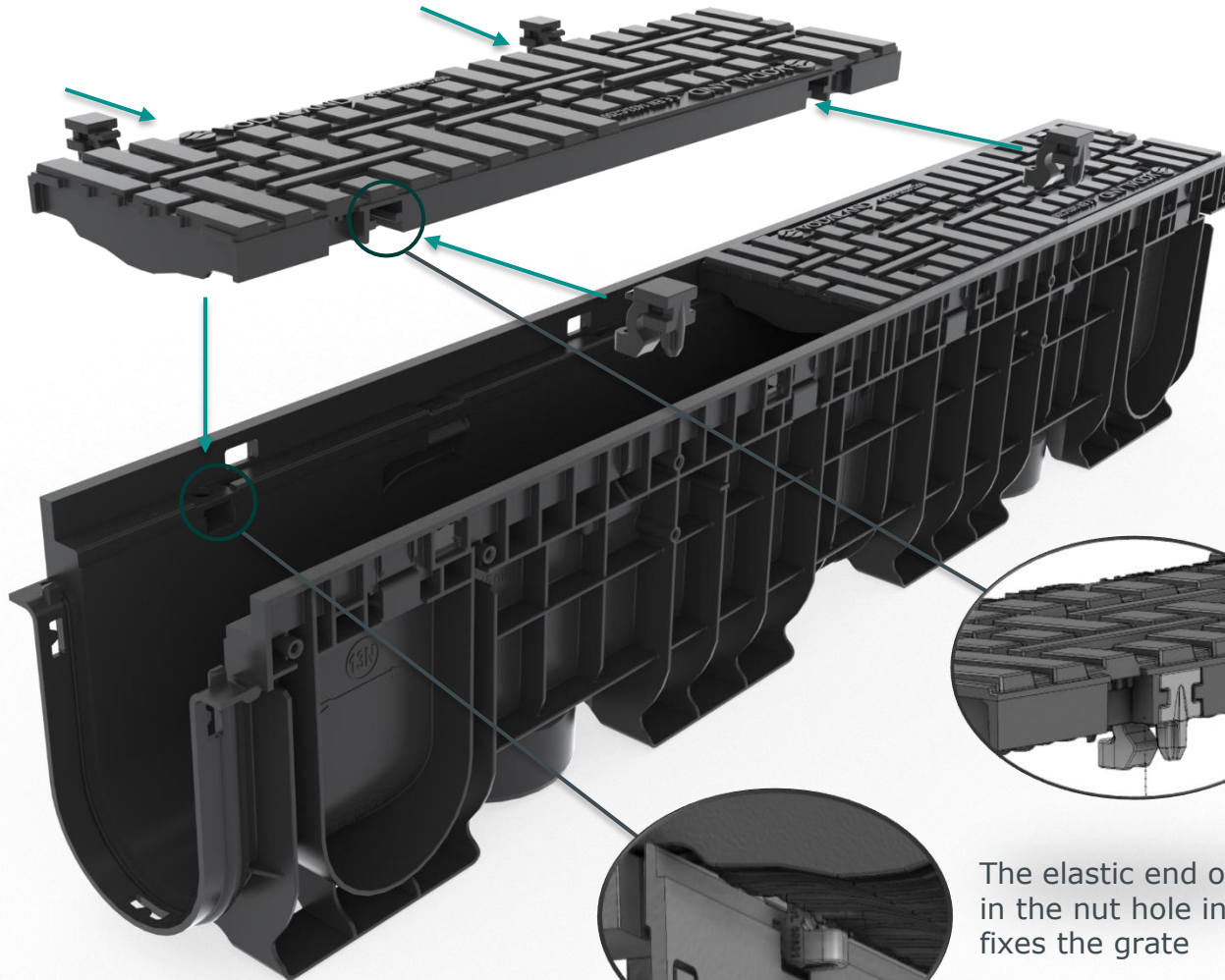
6861



Installation features

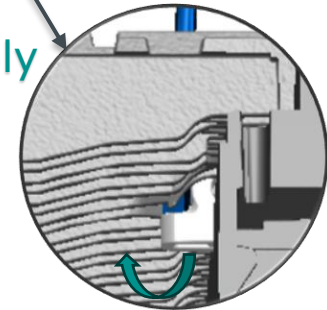
Click system

Place for the central fasteners
the mount closes
end cup (art. 6861)

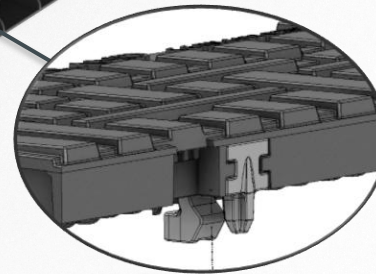


Easy
disassembly

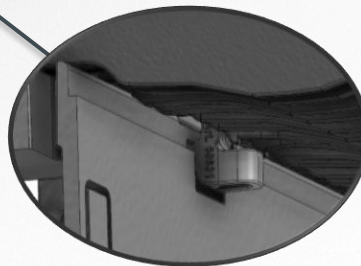
Bending
lower parts
latches via
technological
grate holes, easy
the grate is being dismantled



Latch (it.68631)
goes to the appropriate address
grate location and fixed
with a clove



The elastic end of the latch goes in
in the nut hole in the channel and securely
fixes the grate



Features

The Base 4" (DN100) polyamide grating is designed and engineered in accordance with the high safety standards of **ADA and Heelproof!**

At the same time, it retains high strength, sufficient throughput and innovative design.

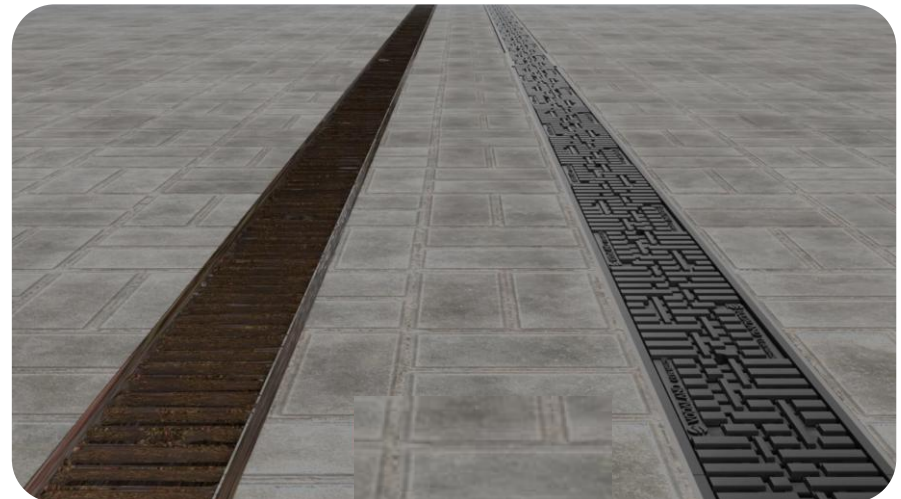


Advantages over cast iron grates



Traffic Safety!
The grate is dielectric – it does not conduct current.

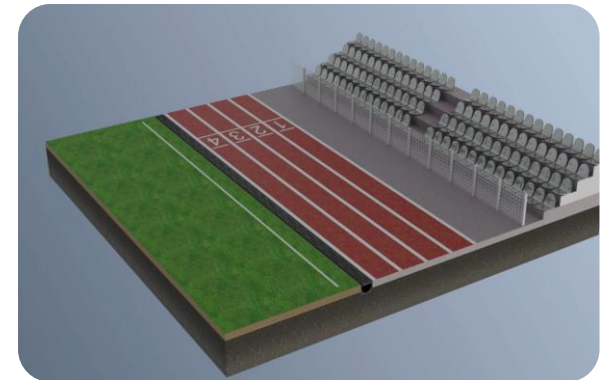
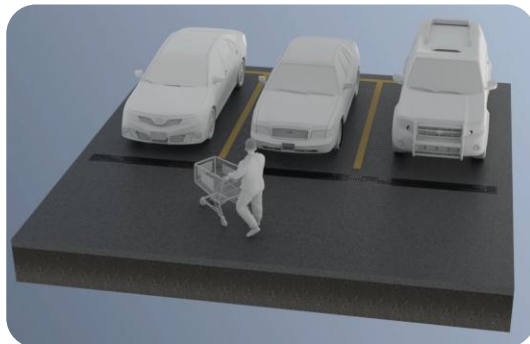
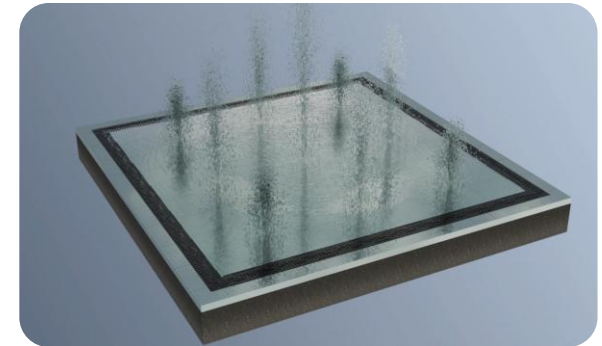
It does not rust over time compared to steel grates.



Areas of use

Depending on the load class

- ❖ Landscape (fountains, gazebos, squares)
- ❖ Entrance to garage cooperatives
- ❖ Sidewalks and pedestrian paths
- ❖ Access roads of bus stations and train stations
- ❖ Short-term road and passenger transport zones
- ❖ Underground parking lots and car parks.
- ❖ Stadiums and sports areas



Montage

It is completed with all plastic channels of the Base series using both plastic and steel central fasteners.





Thanks!

